

# INSTRUCTIONS

## Installation of the V800-EZ valve conversion kit

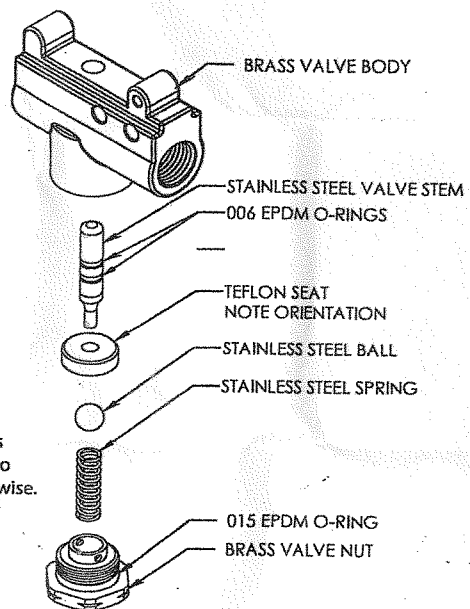
### Removing the existing valve internal components:

1. To remove existing valve components: Loosen the brass valve nut from the bottom of the V800 brass valve body, by turning the nut counter-clockwise. Discard the brass valve nut & O-ring.
2. Remove the brass spacer (if applicable), spring, and valve stem from the brass valve body, and discard.
3. There should be no remaining components within the V800 valve.

### Installing the new V800-EZ conversion kit:

1. To install the V800-EZ conversion kit, remove the valve stem from the package. The O-rings should already be assembled. Note: The new valve stem does not have a snap ring. Insert the valve stem, rounded end first, into the valve body. Push the valve stem in until the top of the valve stem begins to stick out of the top of the valve body.
2. Remove the Teflon spacer from the package, and turn the Teflon spacer so the bevelled edge is facing upwards. Insert the Teflon spacer into the valve body. The Teflon spacer will fit around the valve stem.
3. Removing the stainless steel ball from the package, place the ball in the center of the Teflon O-ring.
4. Take the remaining stainless steel spring and brass valve nut with O-ring, and insert the spring into the brass valve nut. The brass valve nut with the spring can be threaded into the V800 brass valve body by turning it clockwise. The brass valve nut may need to be pressed down as it is threaded in.

*Note: Turning the valve upside-down (opposite of the drawing shown) will aid in assembly.*



www.pmftools.com  
ph.1-800-992-9263  
fax:1-800-966-9005  
8888 HWY 66, KLAMATH FALLS, OR 97601